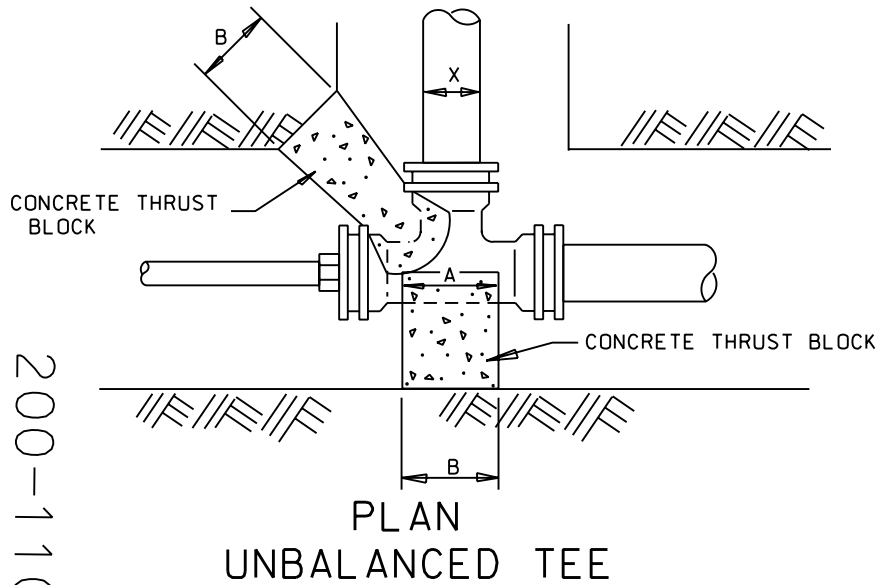
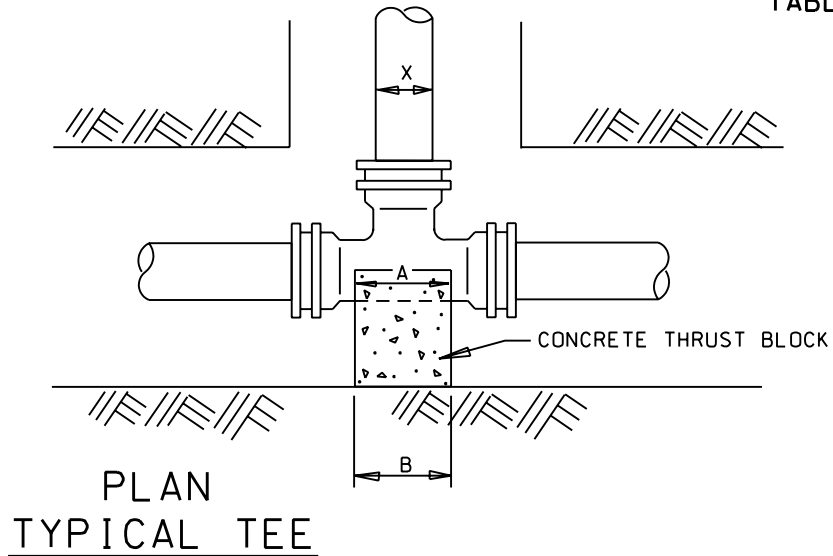


TABLE OF DIMENSIONS FOR HORIZONTAL & VERTICAL SAG BENDS



PIPE SIZE X	A	B	DEPTH C
90° BEND			
24"	2'-4"	4'-0"	5'-0"
20"	2'-4"	4'-0"	4'-6"
18"	2'-0"	3'-6"	4'-0"
16"	1'-9"	3'-4"	3'-6"
14"	1'-9"	2'-6"	3'-0"
12"	1'-6"	2'-0"	3'-0"
10"	1'-4"	2'-0"	2'-6"
8"	1'-0"	1'-6"	2'-0"
6"	1'-0"	1'-0"	2'-0"
4"	0'-9"	1'-0"	1'-0"
45° BEND			
24"	1'-4"	4'-6"	3'-0"
20"	1'-4"	3'-3"	3'-0"
18"	1'-0"	4'-0"	2'-0"
16"	1'-0"	4'-3"	1'-6"
14"	1'-0"	3'-6"	1'-4"
12"	1'-0"	3'-4"	1'-0"
10"	0'-9"	2'-6"	1'-0"
8"	0'-9"	1'-6"	1'-0"
6"	0'-9"	1'-0"	1'-0"
4"	0'-6"	1'-0"	1'-0"
22 1/2° BEND			
24"	1'-4"	3'-0"	2'-0"
20"	1'-4"	2'-6"	2'-0"
18"	1'-0"	2'-9"	1'-6"
16"	1'-0"	2'-4"	1'-4"
14"	1'-0"	2'-0"	1'-2"
12"	1'-0"	1'-9"	1'-0"
10"	0'-9"	1'-6"	0'-10"
8"	0'-9"	1'-0"	0'-8"
6"	0'-9"	1'-0"	0'-6"
4"	0'-6"	1'-0"	0'-4"

PIPE SIZE X	A	B	DEPTH C
11 1/4° BEND			
24"	1'-4"	1'-6"	2'-0"
20"	1'-4"	1'-3"	2'-0"
18"	1'-0"	1'-4"	1'-6"
16"	1'-0"	1'-2"	1'-4"
14"	1'-0"	1'-0"	1'-2"
12"	1'-0"	1'-0"	1'-0"
10"	0'-9"	1'-0"	0'-10"
8"	0'-9"	1'-0"	0'-8"
6"	0'-9"	1'-0"	0'-6"
4"	0'-6"	1'-0"	0'-4"
UNBALANCED TEE & PLUG			
24"	3'-0"	7'-0"	5'-0"
20"	3'-0"	5'-0"	5'-0"
18"	2'-0"	5'-6"	3'-6"
16"	2'-0"	5'-6"	3'-0"
14"	2'-0"	4'-0"	3'-0"
12"	2'-0"	4'-6"	3'-0"
10"	1'-0"	3'-0"	2'-0"
8"	1'-0"	2'-9"	1'-6"
6"	1'-0"	1'-0"	1'-0"
4"	1'-0"	1'-0"	1'-0"
TEE			
24"	2'-6"	7'-0"	5'-0"
20"	2'-6"	5'-0"	5'-0"
18"	2'-6"	5'-6"	3'-6"
16"	2'-6"	5'-6"	3'-0"
14"	2'-4"	4'-0"	3'-0"
12"	2'-0"	4'-6"	2'-0"
10"	1'-9"	3'-0"	2'-0"
8"	1'-6"	2'-9"	1'-6"
6"	1'-0"	1'-0"	1'-0"
4"	1'-0"	1'-0"	1'-0"

200-110

200-110