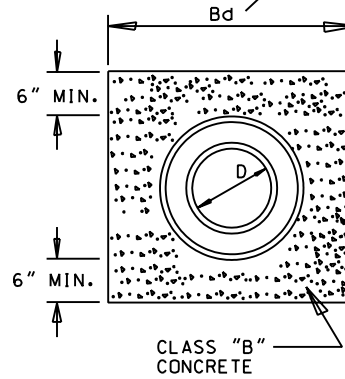
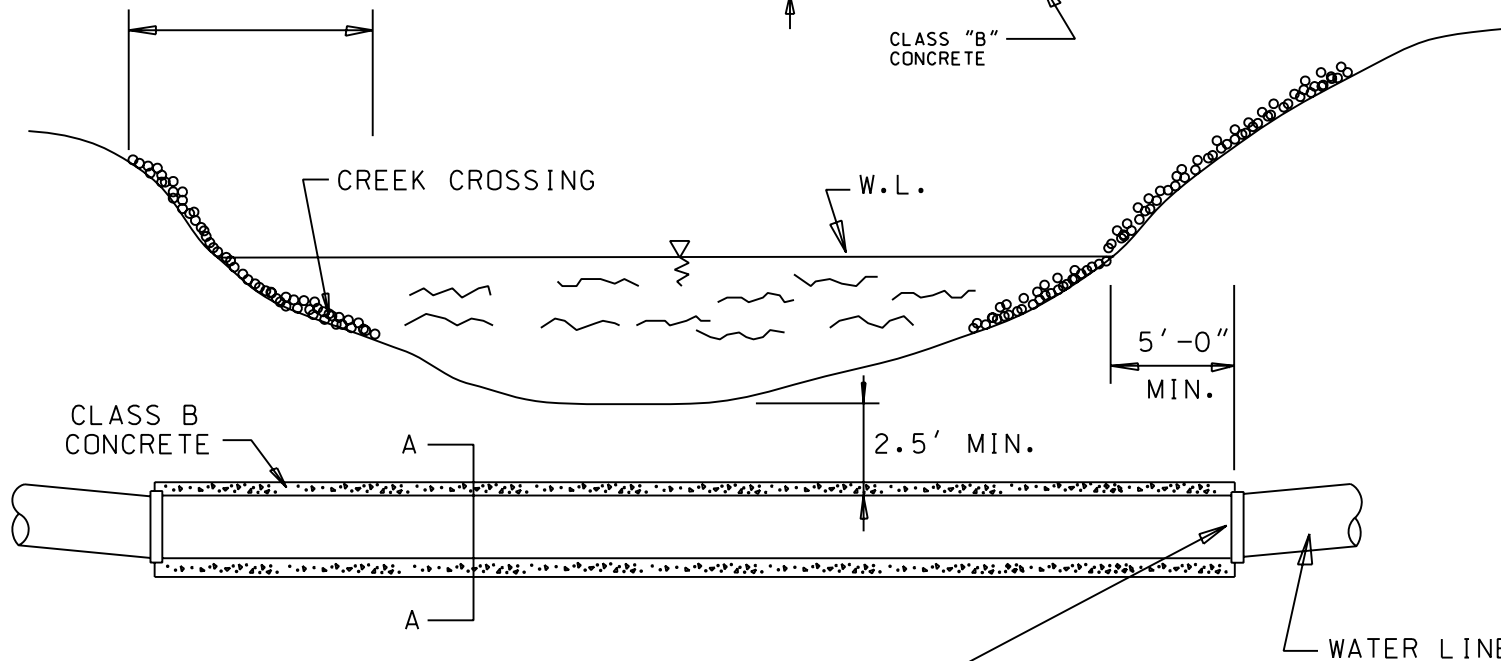


ALLOWABLE TRENCH WIDTH  
FOR PIPE SIZE SPECIFIED.



12" THICK PLAIN ROCK RIP-RAP  
SIZE TO BE APPROVED BY C.U.



NOTE: CONCRETE ENCASEMENT TO BE  
PROVIDED WHEN DIRECTED BY  
THE ENGINEER.

USE RESTRAINED JOINTS AS APPROVED BY C.U.  
ON SHOP DRAWINGS SUBMITTALS IF CALLED  
FOR IN THE PROJECT BID SCHEDULE.

WATER LINE INSTALLED AT  
TYPICAL CREEK CROSSING  
N.T.S.

200-140

200-140