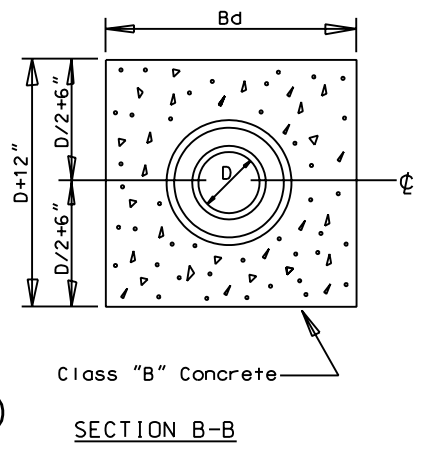


Crushed stone bedding as required

**ELEVATION**

Clay Cut-Off  
 (Reqd. Per Creek Crossing Down-stream & Upstream Side of Creek)

Backfill with clay material (No organic material) (No separate payment allowed); From bottom of trench to top of ground.



**Note:**  
 An Aquatic Resource Alteration Permit Shall Be Obtained Before Any Creek Crossing Is Made.

**TYPICAL CREEK CROSSING  
 (REQ'D AT ALL CREEK CROSSING)**

Class "B" Concrete

**SECTION B-B**