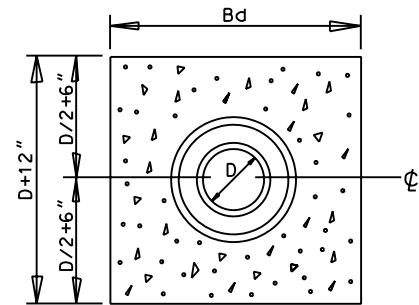
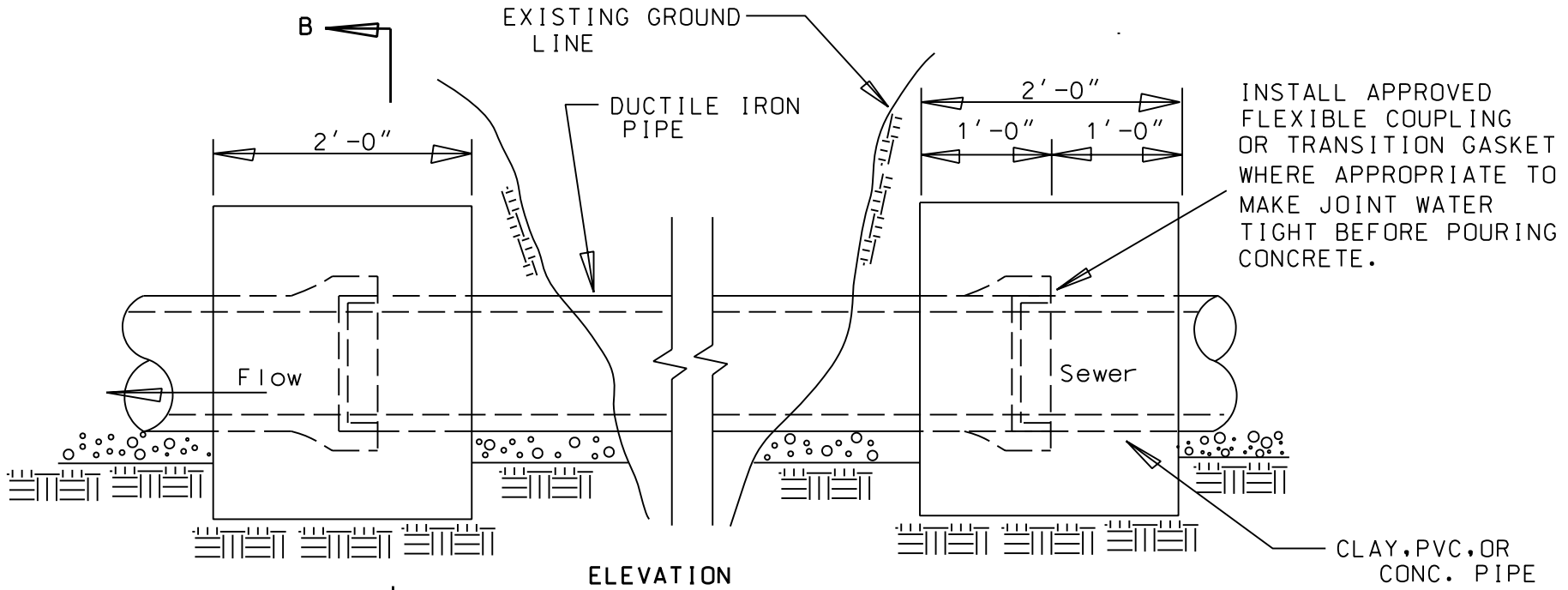


200-260



TYPICAL DITCH CROSSING

NOTE: THIS DETAIL SHALL ALSO APPLY WHEN CAST IRON OR DUCTILE IRON PIPE IS JOINED TO CLAY OR CONCRETE PIPE.

200-260