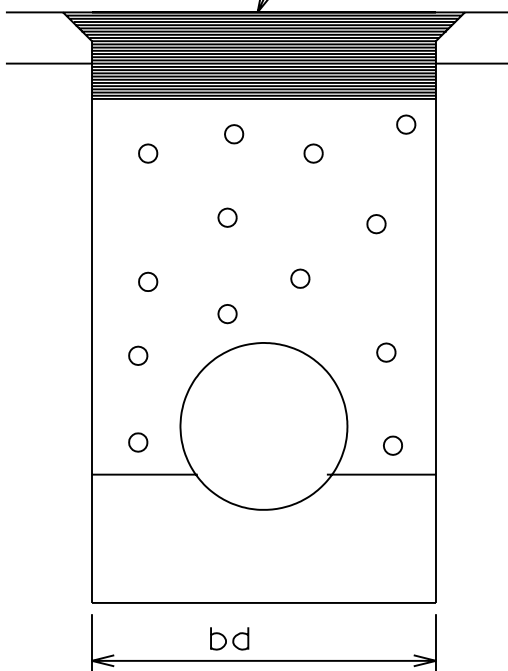
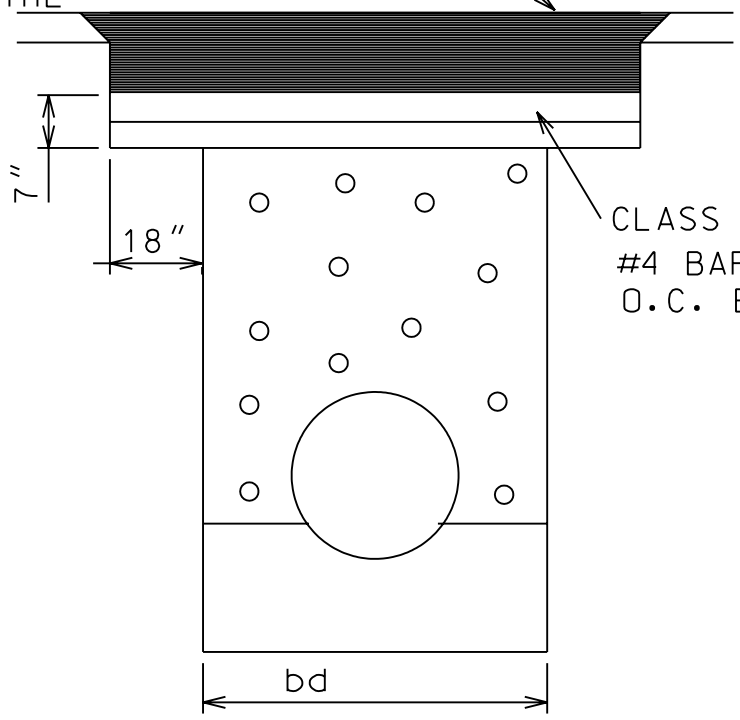


- TYPE 1  
4" ASPHALT CONCRETE SURFACE (411-D)
- TYPE 2  
2" ASPHALT CONCRETE SURFACE (411-D)  
2" BITUMINOUS BINDER (307-B) OR
- TYPE 3  
4" BITUMINOUS BINDER (307-B) PAVING TO  
TO BE DETERMINED BY THE  
ENGINEER.



FOR BITUMINOUS  
CONCRETE PAVEMENT



CLASS A CONCRETE  
#4 BARS AT 12"  
O.C. EACH WAY

FOR BITUMINOUS CONCRETE  
OVER CEMENT CONCRETE  
BASE

TYPICAL PAVING REPLACEMENT  
N.T.S.