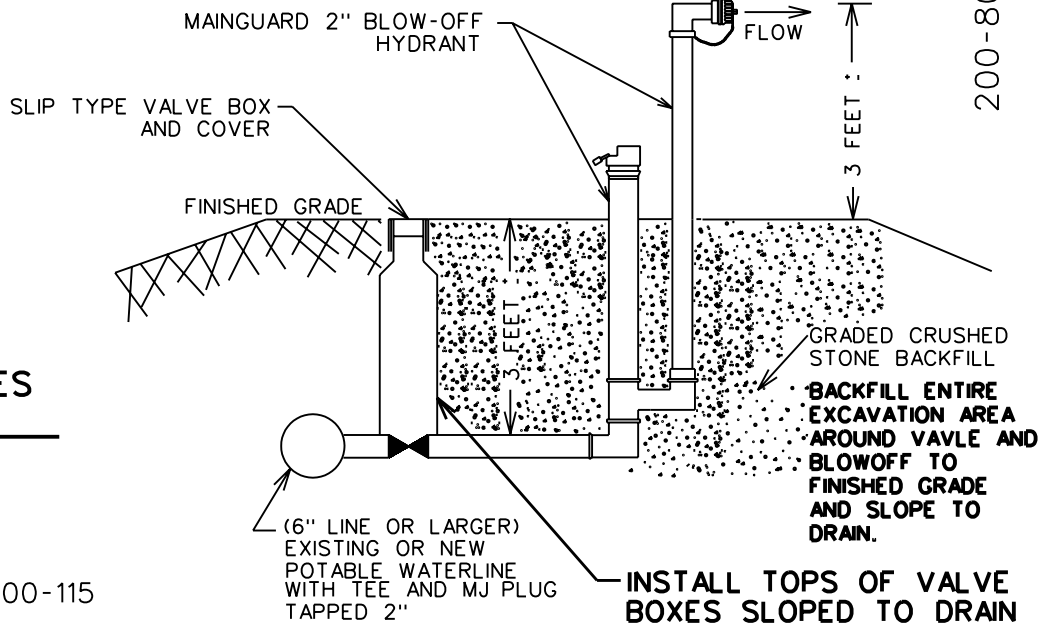
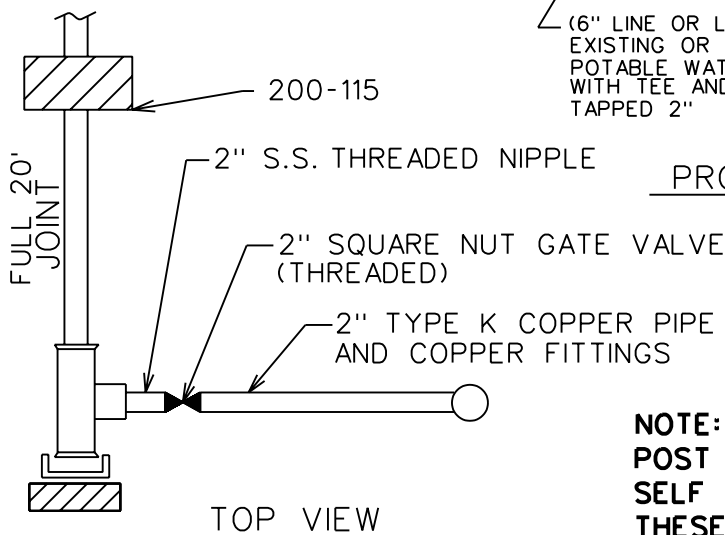


FOR 6" WATERLINES AND LARGER



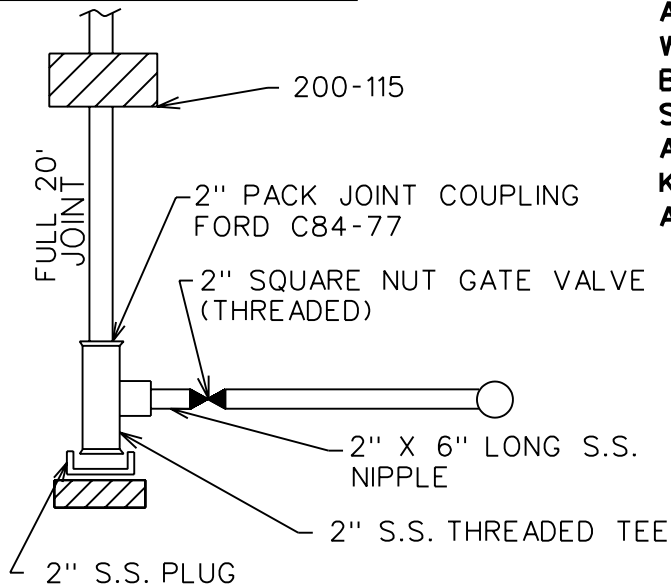
PROFILE VIEW



NOTE:
TIGHTEN ALL THREADED FITTINGS SO JOINT MOVEMENT IS STABILIZED

NOTE:
POST HYDRANTS SHALL BE NON-FREEZING SELF DRAINING TYPE WITH A 12" BURY. THESE HYDRANTS WILL BE FURNISHED WITH A 2" F.I.P. INLET. A NON-TURNING OPERATING ROD AND SHALL OPEN TO THE LEFT. ALL OF THE WORKING PARTS SHALL BE OF BRONZ-TO-BRONZE DESIGN AND BE SERVICABLE FROM ABOVE GRADE WITH NO DIGGING. THE OUTLET SHALL BE BRONZE AND BE 2.5" NST. HYDRANTS SHALL BE LOCKABLE TO PREVENT UN-AUTHORIZED USE AS MANUFACTURED BY KUPFERLE FOUNDRY CO., ST. LOUIS, MO. OR APPROVED EQUAL.

FOR 2" WATERLINES



- MATERIAL:**
- 1- 2" X 2" M.J. TEE
 - 1- 2" PLUG
 - 1- 2" M.J. PLUG TAPPED 2"
 - 1- 2" X 6" STAINLESS STEEL OR BRASS NIPPLE
 - 1- 2" SQUARE NUT THREADED GATE VALVE WITH BOX
 - 1 LOT 2" COPPER PIPE AND FITTINGS
 - 1-MAINGUARD NO. 77